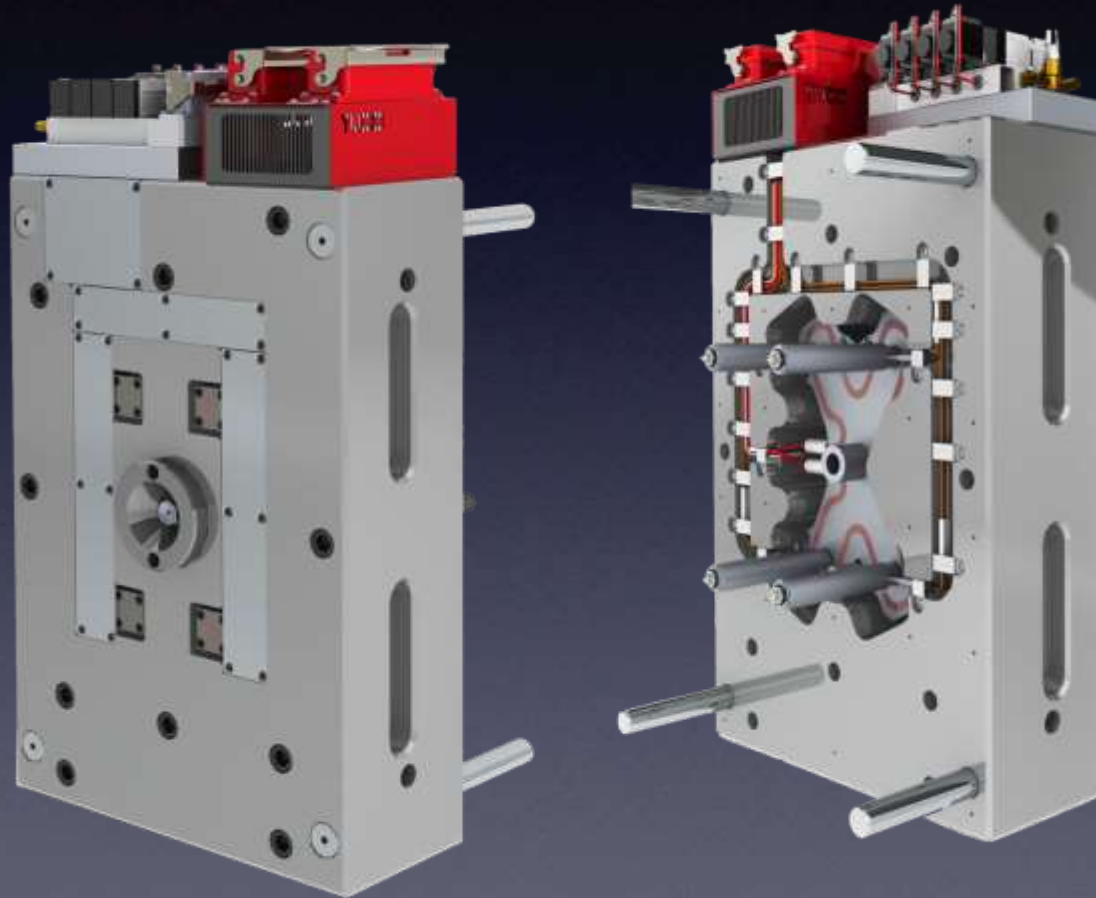


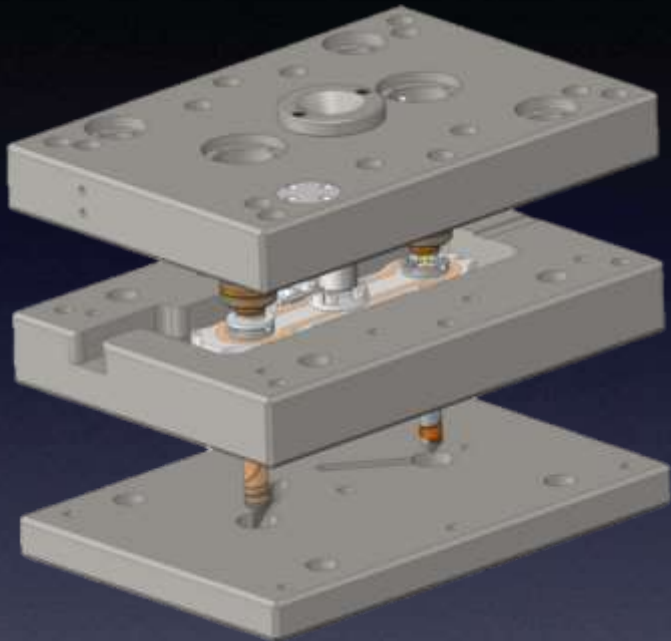
T – Hot Half

Hybrid Hot Half system

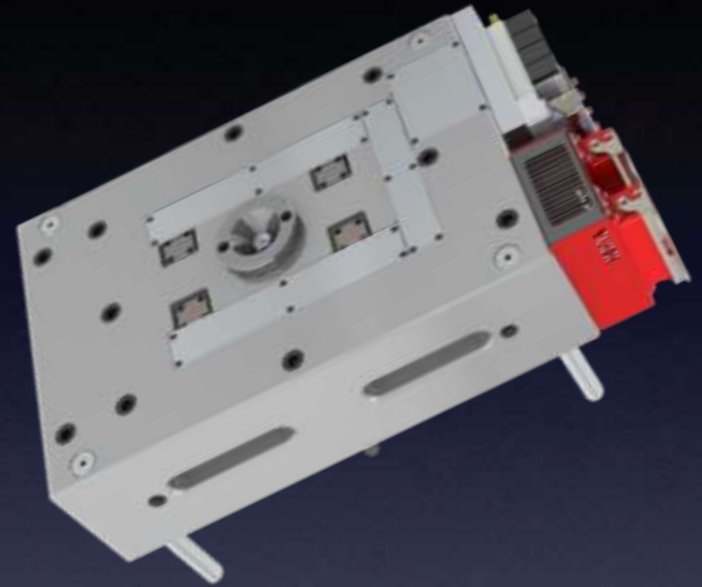


Hybrid hot half design which mixed conventional Hot Half and Pre-Wired design

Conventional



T Hot Half



VS

Thick vs Thin

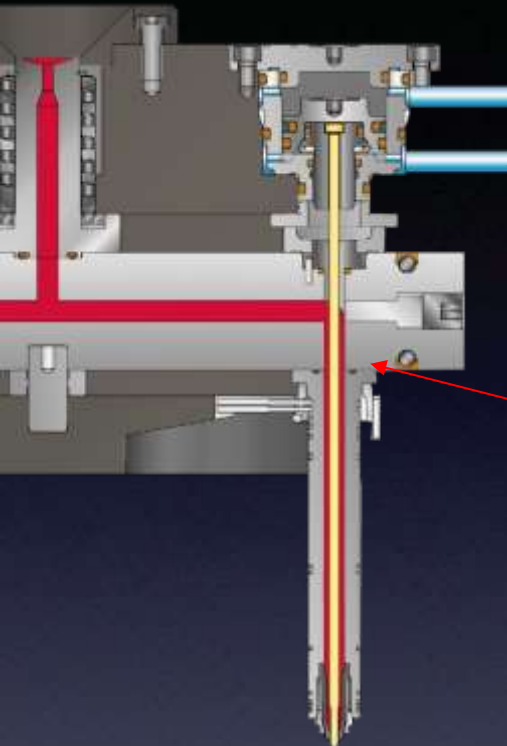
3 Plate vs 1 Plate

Gun-drill vs NO Gun-drill

High tolerance require vs Low tolerance require

Sliding sealing vs Screw Sealing

Conventional



1. Gun-drill

Gun-Drill **VS** Flexible Tube

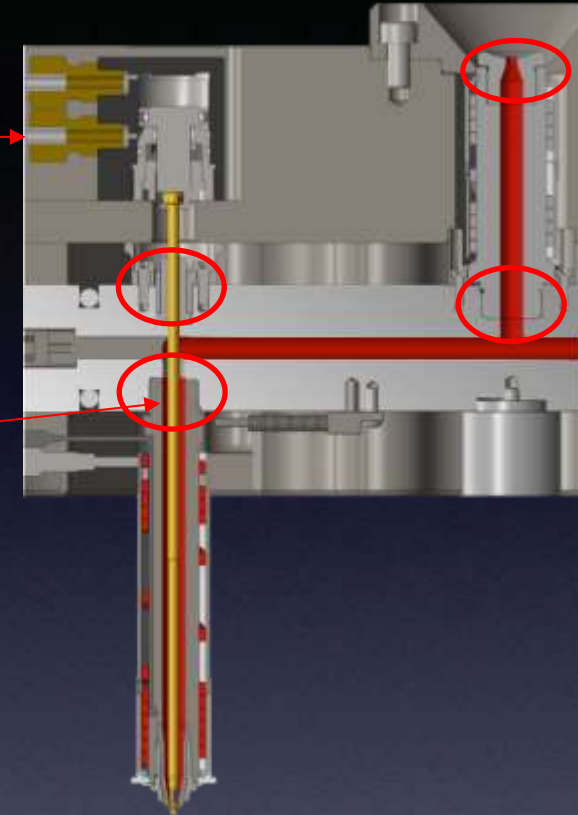
Less tooling time
Less tooling cost
Better air quality

2. Assembling

Sliding **VS** Screwed - In

Assemble by screw
Safety from leakage
Saving assembling time

T Hot Half



3. HRS Plate Thickness

SYSTEM	TINA GP10	TINA GP15	TINA GP 22
Conventional	180mm	190mm	195mm
T Hot Half	150mm	160mm	170mm
Material Saving	16.6%	15.8%	12.8%



